

X-VAP™

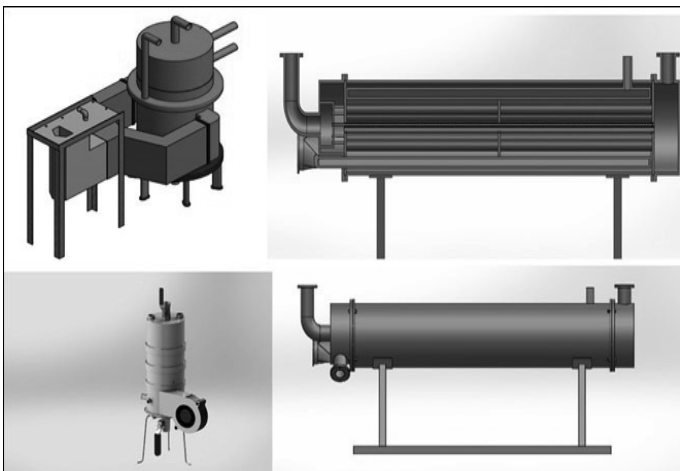
Energy and Water Recycler™- Water Purification System

PRODUCT INFORMATION

- Texas Startup
- Be an Energy-Recycler™ and Water Recycler™ by purifying water through energy-recapture
- Accepting pre-orders for our first product to purify oilfield produced water using flare gas and other waste energy sources
- Intellectual Property: 3 US Patents filed, 1 PCT filed and 1 patent application to be filed
- Only product that uses waste heat to purify water internally in a heat exchanger

MARKETPLACE

- Each X-VAP™ unit will purify up to 2,200 gallons of water per day
- Each X-VAP™ unit only requires 5,000 cubic feet of gas per day or less.
- Potential Customers: Oil and Gas operators, Industry, Governments and Municipalities

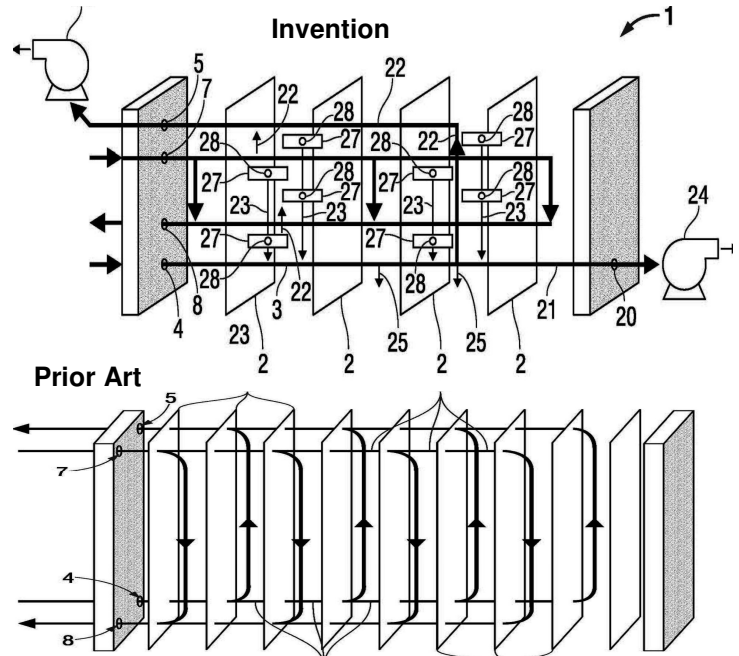


FOUNDER

Gary Katz, the inventor and founder, is a patent attorney with over 16 years of experience. This includes ten years with ExxonMobil as in-house counsel and several years with large and small law firms representing corporate 500 companies, mid-size companies and startups. Gary Katz used his extensive petroleum engineering and refining background to redesign industrial heat exchangers to purify water.

SUMMARY

The world is running out of water. Presently, the energy required to purify water is expensive. This breakthrough technology uses waste heat to purify water. The market for industrial water treatment technologies is set to expand by more than 50% over the next several years.



THE PRODUCT

1. Our services retrofits industrial heat exchangers to efficiently purify water internally using waste heat.
2. Water is purified with little or no additional energy costs to the customer.
3. The additional equipment costs are nominal, if any.
4. All industries that have excess heat and waste water can benefit from our product.
5. Only this product can purify water with no external energy and with minimal equipment changes.
6. This product modifies industrial heat exchangers to have distillation chambers and alternative flow paths using baffles and tubing to purify water.

CONTACT INFORMATION

Gary Katz: 832-736-2078
gary@katzwater.com